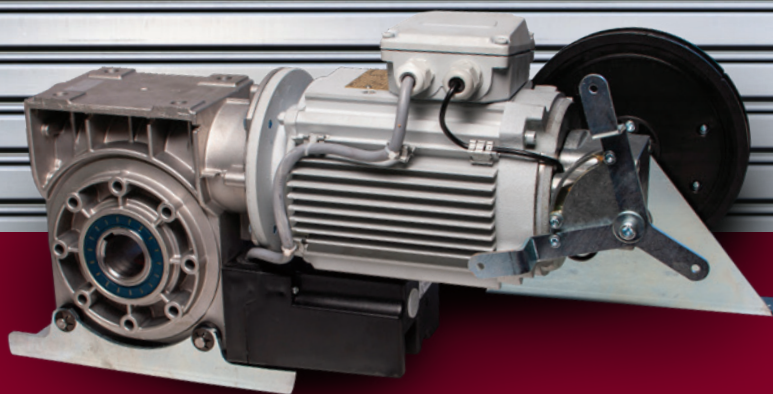


GRIFCO®

POWERING COMMERCIAL DOORS



D-DRIVE

DIRECT DRIVE VERSION

DIRECT DRIVE SINGLE AND VARIABLE SPEED OPERATORS FOR NON-BALANCED ROLLER SHUTTERS



KEY FEATURES

- Robust Direct Drive Configuration
- Single and variable speed options available
- Integrated safety brake
- Solutions up to 1,400 Nm
- Comprehensive logic onboard
- Relay Expansion Boards available
- Non-handed
- 2 year Grifco conditional warranty
- Rated for low and high duty cycle applications
- Made in Germany

Grifco's D-Drive range delivers a direct drive solution for non-balanced roller shutter doors to suit low cycle and high cycle applications. Robust and reliable, with multiple component options, the D-Drive is an intelligent workhorse with trusted performance.

Information for Roller Shutters

All Operators are designed for a Roller Shutter with maximum curtain weights as listed on the following page.

More information?

Full instructions are found in the D-Drive Installation Manuals. Visit Grifco D-Drive at: www.grifco.com.au/d-drive



OPTIONAL ACCESSORIES

Mounting Platform

DDMP-01 / DDMP-02



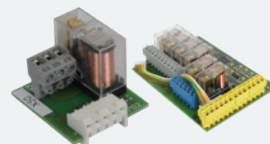
Entrapment Protection Devices

PB008 / PB060 / GLCPS



Expansion Boards

1 Relay Device DDEB-1R
6 Relay Device DDEB-6R



Transmitter Management

Up to 1,000 remotes
STAR1000EVO



Three Channel Receiver

Up to 50 remotes
E8003



Transmitter Management Devices (50 x E960G)

Security + 2.0
E960G / GTM-E960G-50



More accessories available

D-Drive Direct Drive Single and Variable Speed Operators Range for Non-Balanced Roller Shutters

Kit	Maximum Power Nm	Nominal Shaft Speed RPM	Supply Voltage / Rated Current	Operator	Wall Control	Safety Brake	Fastener Kit	Mounting Platform
Single Speed								
GDD-42-11-SS	420	11	415V/3.7A	GDDO-42-11	DDC-22	Integrated	DDMB01: M12 KIT	DDMP-01
GDD-55-11-SS	550	11	415V/5.0A	GDDO-55-11	DDC-22	Integrated	DDMB01: M12 KIT	DDMP-01
GDD-75-10-SS	750	10	415V/4.4A	GDDO-75-10	DDC-22	Integrated	DDMB02: M16 KIT	DDMP-02
GDD-100-10-SS	1,000	10	415V/5.3A	GDDO-100-10	DDC-22	Integrated	DDMB02: M16 KIT	DDMP-02
GDD-140-09-SS	1,400	9	415V/5.3A	GDDO-140-19	DDC-22	Integrated	DDMB02: M16 KIT	DDMP-02

Kit contents - refer to Components Parts List.

Variable Speed

GDD-22-13-VS	220	13	240V/4.1A	GDDO-22-13	DDI-07	Integrated	DDMB01: M12 KIT	DDMP-01
GDD-42-11-VS	420	11	240V/6.4A	GDDO-42-11	DDI-12	Integrated	DDMB01: M12 KIT	DDMP-01
GDD-55-11-VS	550	11	240V/8.7A	GDDO-55-11	DDI-15	Integrated	DDMB01: M12 KIT	DDMP-01
GDD-75-10-VS	750	10	240V/7.6A	GDDO-75-10	DDI-15	Integrated	DDMB02: M16 KIT	DDMP-02
GDD-100-10-VS	1,000	10	240V/9.2A	GDDO-100-10	DDI-15	Integrated	DDMB02: M16 KIT	DDMP-02

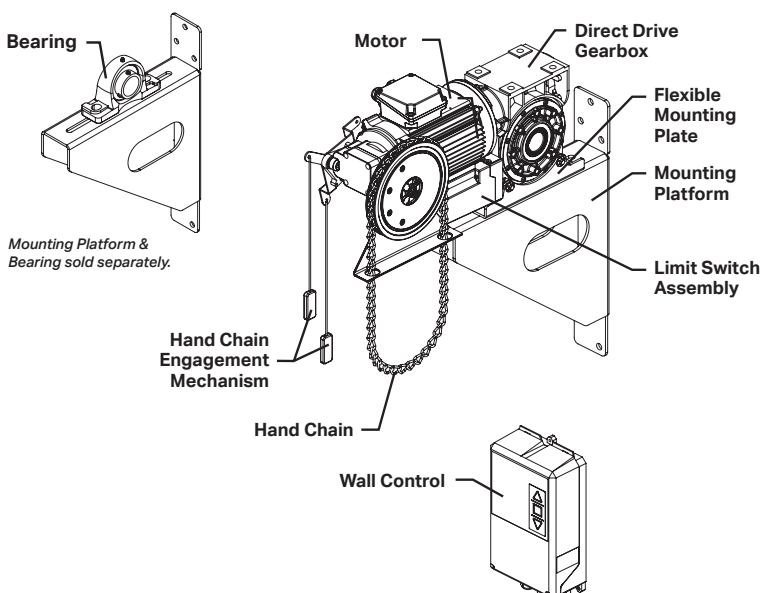
Kit contents - refer to Components Parts List.

Maximum Total Curtain Weight

Drum Diameter	165mm	168mm	219mm	273mm
GDD-42-11-SS	338	333	267	220
GDD-55-11-SS	443	436	349	289
GDD-75-10-SS	603	595	476	394
GDD-100-10-SS	805	793	635	525
GDD-140-9-SS	1,126	1,110	889	735
GDD-22-13-VS	177	174	140	115
GDD-42-11-VS	338	333	267	220
GDD-55-11-VS	443	436	349	289
GDD-75-10-VS	603	595	476	394
GDD-100-10-VS	805	793	635	525

Lifting weights in Kg, including bottom rail.

Maximum curtain weights for Low Duty applications, excluding wind-lock construction - see manual for details. Refer to Installation Manual for detailed dimensions.
For other duty ratings refer to Installation Manual or contact Grifco Customer Service.



Drum Discs

Component Part Number	Disc Diameter (mm)	Wall Thickness (mm)	Shaft Diameter (mm)
DDDD-168-4.8-40	168	4.8	40
DDDD-168-4.8-50	168	4.8	50
DDDD-168-4.8-55	168	4.8	55
DDDD-168-6.4-40	168	6.4	40
DDDD-168-6.4-50	168	6.4	50
DDDD-168-6.4-55	168	6.4	55
DDDD-168-7.1-40	168	7.1	40
DDDD-168-7.1-50	168	7.1	50
DDDD-168-7.1-55	168	7.1	55
DDDD-219-4.8-40	219	4.8	40
DDDD-219-4.8-50	219	4.8	50
DDDD-219-4.8-55	219	4.8	55
DDDD-219-6.4-40	219	6.4	40
DDDD-219-6.4-50	219	6.4	50
DDDD-219-6.4-55	219	6.4	55
DDDD-219-8.2-40	219	8.2	40
DDDD-219-8.2-50	219	8.2	50
DDDD-219-8.2-55	219	8.2	55
DDDD-273-4.8-40	273	4.8	40
DDDD-273-4.8-50	273	4.8	50
DDDD-273-4.8-55	273	4.8	55
DDDD-273-6.4-40	273	6.4	40
DDDD-273-6.4-50	273	6.4	50
DDDD-273-6.4-55	273	6.4	55

D-Drive Direct Drive Component Parts List

Component Part Number	Kit Part Number	GDD-42-11-SS	GDD-55-11-SS	GDD-75-10-SS	GDD-100-10-SS	GDD-140-09-SS	GDD-22-13-VS	GDD-42-11-VS	GDD-55-11-VS	GDD-75-10-VS	GDD-100-10-VS
		420 Nm Single Speed	550 Nm Single Speed	750 Nm Single Speed	1,000 Nm Single Speed	1,400 Nm Single Speed	220 Nm Variable Speed	420 Nm Variable Speed	550 Nm Variable Speed	750 Nm Variable Speed	1,000 Nm Variable Speed
GDDO-22-13	Operator. Direct Drive 220 Nm						Y x1				
GDDO-42-11	Operator. Direct Drive 420 Nm	Y x1						Y x1			
GDDO-55-11	Operator. Direct Drive 550 Nm		Y x1						Y x1		
GDDO-75-10	Operator Direct Drive 750 Nm			Y x1						Y x1	
GDDO-100-10	Operator Direct Drive 1,000 Nm				Y x1						Y x1
GDDO-140-9	Operator Direct Drive 1,400 Nm					Y x1					
DDC-22	Wall Controller Contactor 2.2 kW	Y x1	Y x1	Y x1	Y x1	Y x1					
DDI-07	Wall Controller Inverter 0.75 kW						Y x1				
DDI-12	Wall Controller Inverter 1.2 kW							Y x1			
DDI-15	Wall Controller Inverter 1.5 kW								Y x1	Y x1	Y x1
DDMB01	Fastener Kit M12 Bolt & Washers	Y x1	Y x1				Y x1	Y x1	Y x1		
DDMB02	Fastener Kit M16 Bolt & Washers			Y x1	Y x1	Y x1				Y x1	Y x1
EC-6	Encoder & Brake Cable 6m long	Y x1	Y x1				Y x1	Y x1	Y x1		
EC-8	Encoder & Brake Cable 8m long			Y x1	Y x1	Y x1				Y x1	Y x1
EC-12	Encoder & Brake Cable 12m long	O x1	O x1	O x1	O x1	O x1	O x1	O x1	O x1	O x1	O x1
MPC-6	Motor Power Cable 6m long	SBO	SBO	SBO	SBO	SBO	Y x1	Y x1	Y x1		
MPC-8	Motor Power Cable 8m long	SBO	SBO	SBO	SBO	SBO				Y x1	Y x1
DDMP-01	Mounting Platform Small	Y x2	Y x2				Y x2	Y x2	Y x2		
DDMP-02	Mounting Platform Large			Y x2	Y x2	Y x2				Y x2	Y x2
B-HSBP40	Bearing Block 40mm	Y x1	Y x1				Y x1	Y x1	Y x1		
B-HSBP50	Bearing Block 50mm										
B-HSBP55	Bearing Block 55mm			Y x1	Y x1	Y x1				Y x1	Y x1
DDDS-600-40K	Drum Shaft 600mm x 40mm inc. Keyway & Key	Y x1	Y x1				Y x1	Y x1	Y x1		
DDDS-600-50K	Drum Shaft 600mm x 50mm inc. Keyway & Key										
DDDS-600-55K	Drum Shaft 600mm x 55mm inc. Keyway & Key			Y x1	Y x1	Y x1				Y x1	Y x1
DDDS-600-40P	Drum Shaft 600mm x 40mm Plain	Y x1	Y x1				Y x1	Y x1	Y x1		
DDDS-600-55P	Drum Shaft 600mm x 55mm Plain			Y x1	Y x1	Y x1				Y x1	Y x1
DDDD-XXX-X.X-XX	Drum Disc - see table to left.	Y x4	Y x4	Y x4	Y x4	Y x4	Y x4	Y x4	Y x4	Y x4	Y x4
DDRR-40	Retaining Ring 40mm	Y x2	Y x2				Y x2	Y x2	Y x2		
DDRR-55	Retaining Ring 55mm			Y x2	Y x2	Y x2				Y x2	Y x2
DDTB01	Torque Bracket	O x1	O x1					O x1	O x1		
HC4MM8	Hauling Chain 4mm x 19mm 8m long	O x1	O x1	O x1	O x1	O x1	O x1	O x1	O x1	O x1	O x1
DDEB-1R	Expansion Board inc. 1x Relay						O x1	O x1	O x1	O x1	O x1
DDEB-6R	Expansion Board inc. 6x Relay						O x1	O x1	O x1	O x1	O x1

- Y** Needed for installation, and included in Kit Part Number
- Y** Needed for installation, purchase separately
- O** Optional for installation, purchase separately
- SBO** Supplied By Others

- x1 One piece is required for an installation
- x2 Two pieces required for an installation
- x4 Four pieces required for an installation

GRIFCO®

POWERING COMMERCIAL DOORS

Visit our website for quick access to:

- Installation manuals
- Specification sheets and text
- News and information
- Application information

www.grifco.com.au
1800 GRIFCO

www.grifco.co.nz
0800 653 667

CHAMBERLAIN AUSTRALIA PTY LTD

Sydney

Unit 1, 75 Epping Road
North Ryde NSW 2113
Ph: 1800 638 234

MANUFACTURING

Gosford

15 Dell Road, West Gosford NSW 2250
Ph: + 61 2 4323 3877
Fax: + 61 2 4323 3882
Technical Support: 1800 GRIFCO
support@chamberlainanz.com

CHAMBERLAIN BRANCHES

Melbourne

1 Dexter Dr, Epping VIC 3076

Brisbane

Unit 1/11, Morrison Close, Mansfield QLD 4122

Perth

54 Millrose Drive, Malaga WA 6090

CHAMBERLAIN NEW ZEALAND LIMITED

Auckland

17B Arrenway Drive, Rosedale 0632, Auckland
Ph: +64 9 477 2823



WARNING!

- Wireless transmitters contain coin/button cell battery.
- Keep product and batteries away from children.
- Battery can cause severe or fatal injuries in 2 hours or less if swallowed or placed inside any part of the body.
- Seek immediate medical attention if it is suspected that a coin/button cell battery has been swallowed or placed inside any part of the body.



© 2022 The Chamberlain Group LLC
®Registered Trade Marks of The Chamberlain Group, Inc.
™Trade Marks of Chamberlain Group, Inc.